

LC Series  
Single Lever Lavatory Faucet  
(w/o Pop-up Waste)



### Features

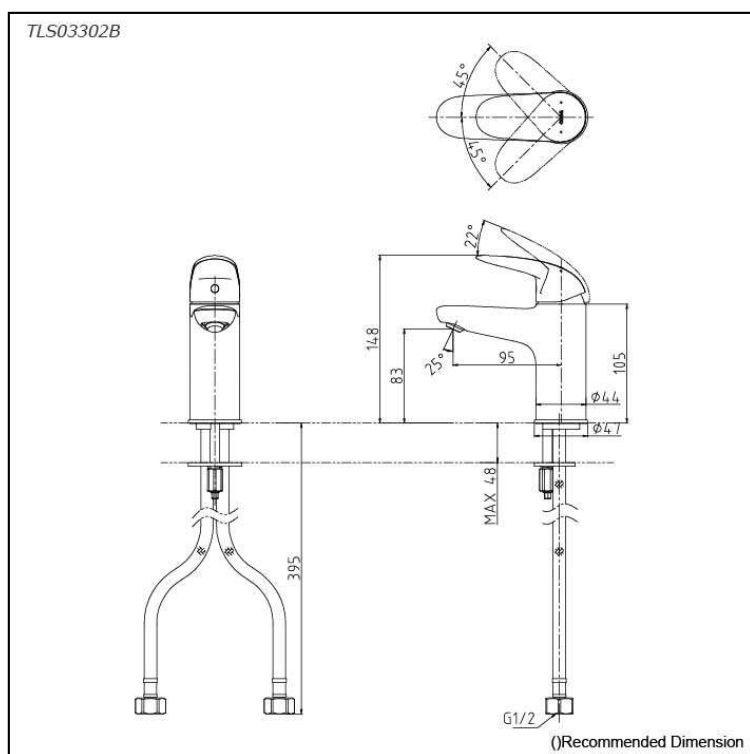
- Design Concept is Life and Curve
- TOTO original cartridge for smooth control
- High corrosion resistance plating
- TOTO aerated water technology, ECOCAP adds air to the water to achieve full water jet with less amount of water usage.

### Specifications

Finish: Chrome  
Material: Brass  
Water Pressure: 0.05Mpa~1.0Mpa

### Parts description

- **TLS03302B**  
Single Lever Lavatory Faucet (w/o Pop-up Waste)



### Flow Rate

TLS03302B

